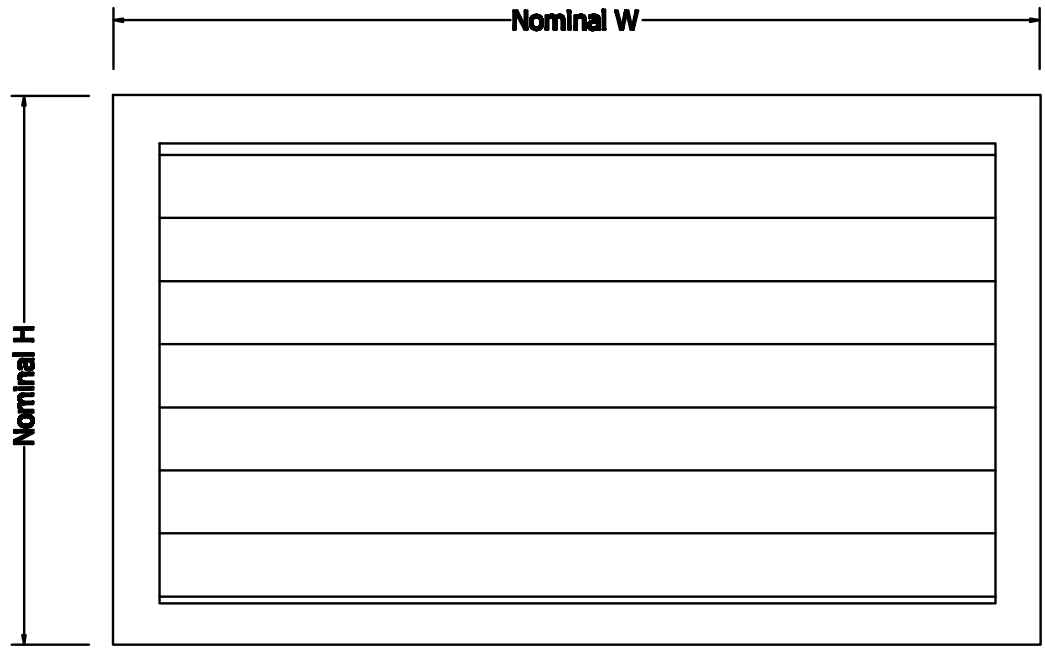
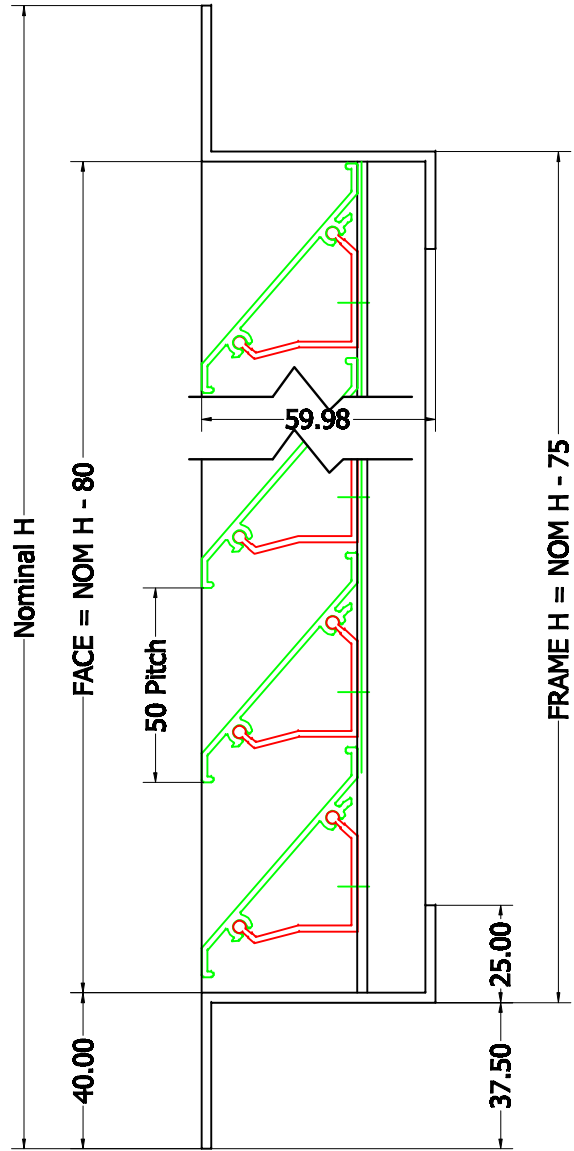
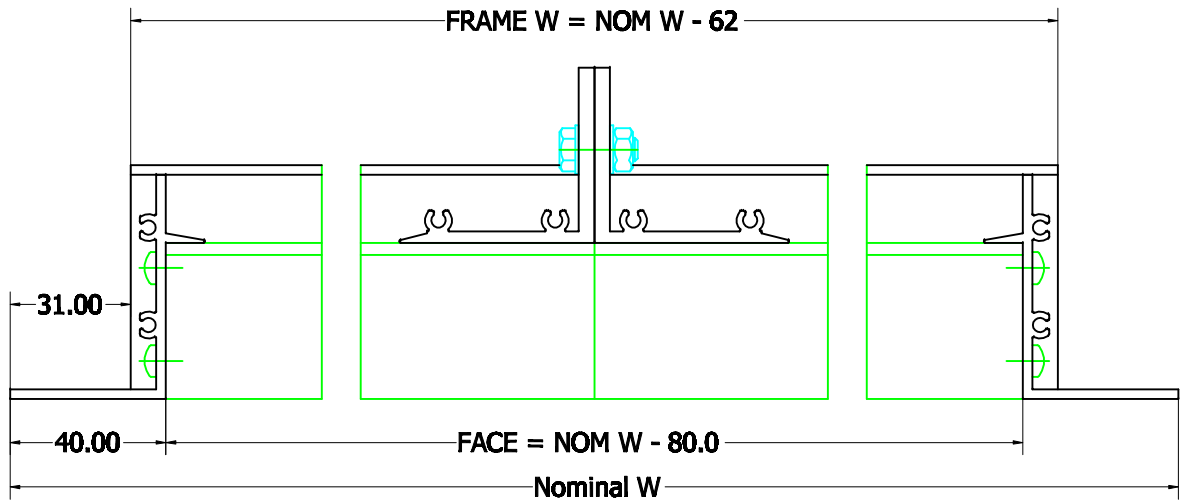


AVS 50 Eco BF

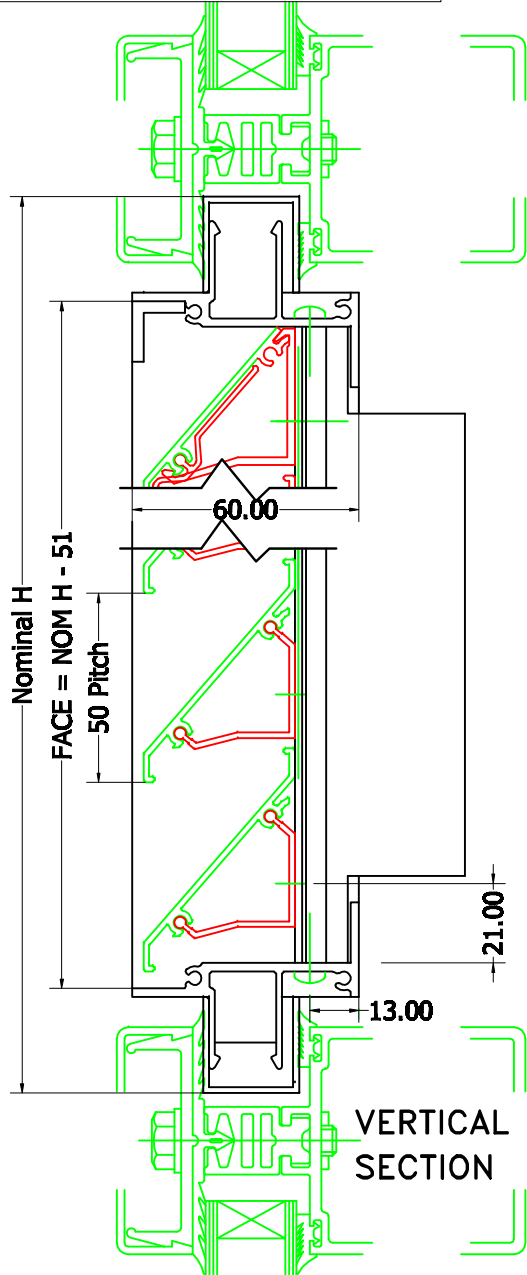


FRONT ELEVATION

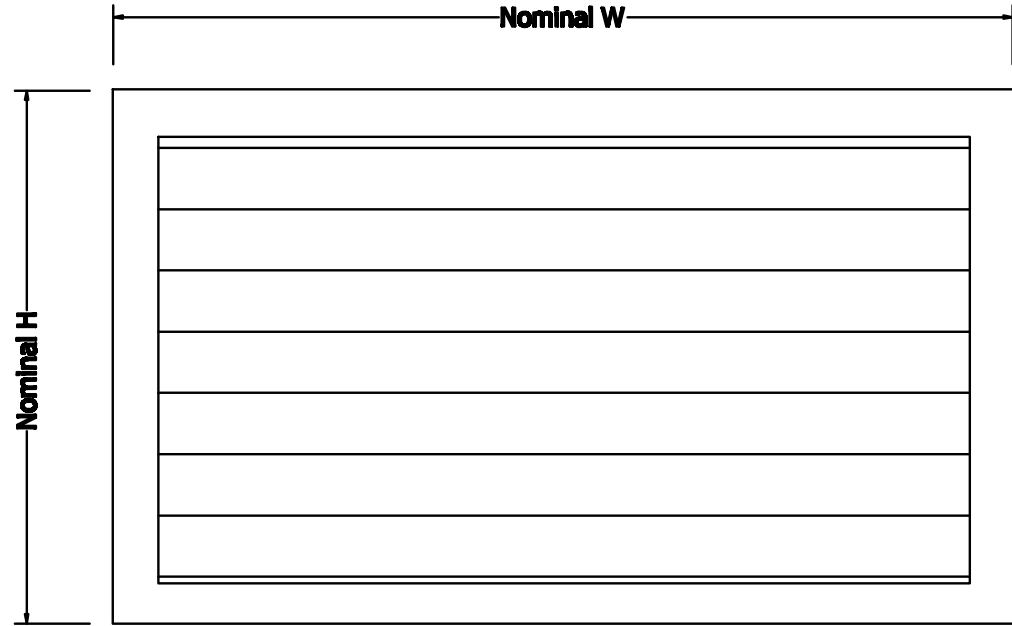


HORIZONTAL SECTION

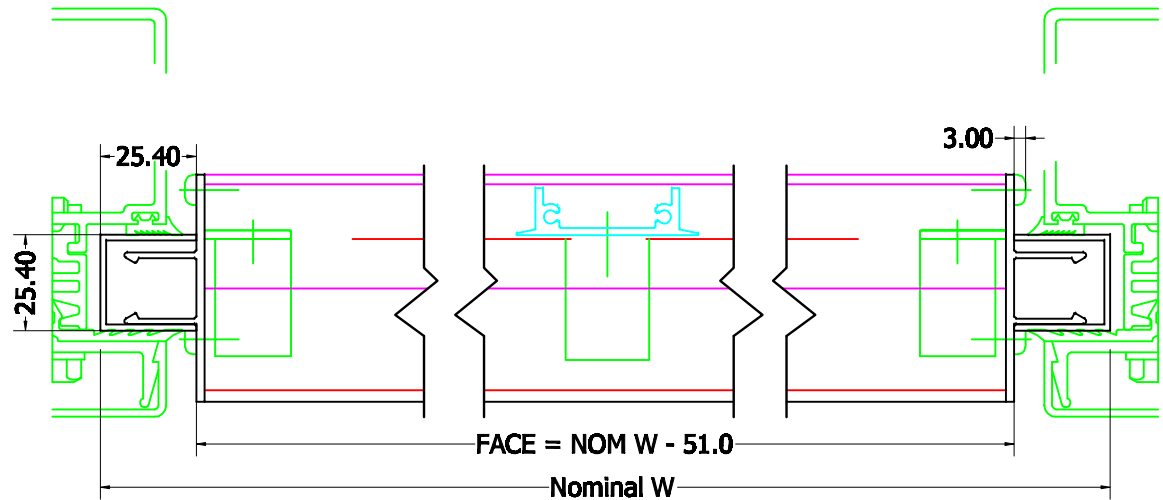
AVS 50 Eco FL



VERTICAL SECTION



FRONT ELEVATION



HORIZONTAL SECTION

AVS 50 Eco GL