

AVS50

Product Data Sheet



General Description

The AVS 50 is a medium format louvre system specifically designed commercial projects where increased airflow and/or free area performances may be required.

Technical Details

Materials

- Extruded Aluminium alloy profiles to 6063 T6 AVS50 GL 24
- Profile thickness 1.5mm

Performance

- Class 'C' 3 weathering and airflow performance (Refer to BSRIA test certificate)
- Physical Free area Min 46%
- Mean Ce Factor 0.235 (Class 3)

Dimensions

- 50mm Blade Pitch
- Product depth 64mm o/all
- Glazed-in outer frames to suit 24 & 28mm as standard
- (alternative glazing thickness' available upon request)
- Glazing rebate height 22mm

Options

- 24 or 28mm Glazed-In Outer Frames as standard
- Flanged Outer Frame
- Box Frame for reveal or surface mounting
- Water Drainage Profile
- Fly screen Options include nylon/glass fibre as standard, aluminium or stainless steel or bird guard

Tel: 01903 733 063 • Fax: 01903 680 022 • Out of Office: 07739 309 902

www.advancedventilationsystems.co.uk • info@advancedventilationsystems.co.uk

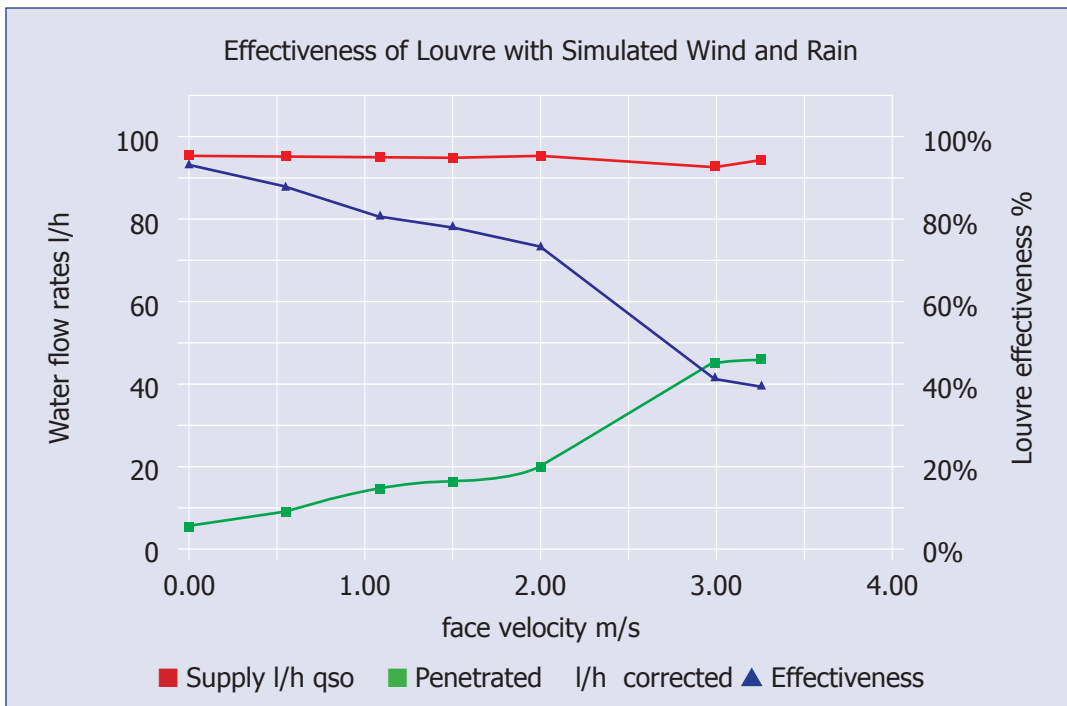
Advanced Ventilation Systems Ltd, Unit T2, Rudford Industrial Estate, Ford Road, Nr Arundel, West Sussex, BN18 0BD

AVS50

Performance Data 1



VENTILATION RATE		WATER FLOW RATES		Effectiveness	Class
Volume m ³ /s	Velocity m/s	Supply l/h	Penetrated l/h		
0.00	0.00	95.2	5.3	93.2%	C
0.56	0.54	95.2	9.1	88.2%	C
1.11	1.08	95.2	14.6	81.1%	C
1.54	1.50	94.7	16.3	78.8%	D
2.05	2.00	94.7	20.2	73.8%	D
3.06	2.98	93.0	45.0	41.6%	D
3.34	3.25	94.7	46.3	39.9%	D



Tel: 01903 733 063 • Fax: 01903 680 022 • Out of Office: 07739 309 902

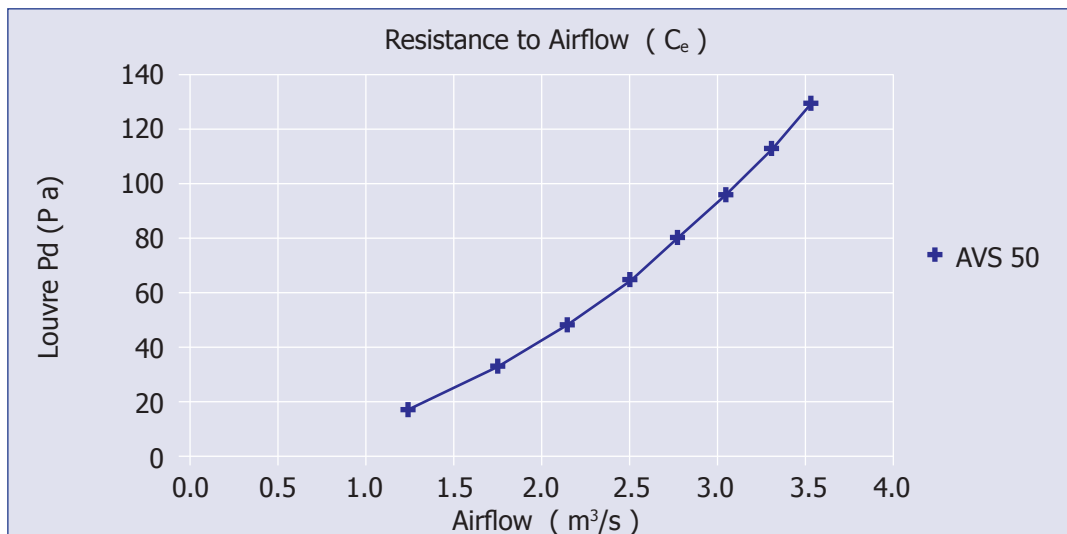
www.advancedventilationsystems.co.uk • info@advancedventilationsystems.co.uk

Advanced Ventilation Systems Ltd, Unit T2, Rudford Industrial Estate, Ford Road, Nr Arundel, West Sussex, BN18 0BD

AVS50

Performance Data 2

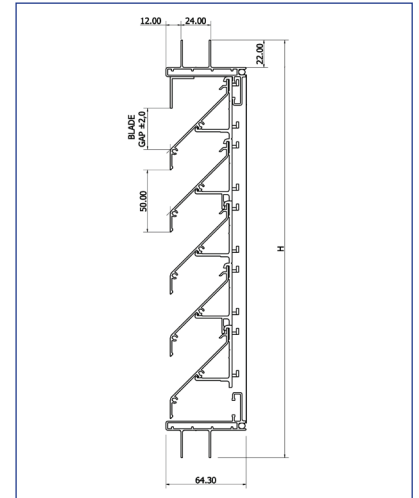
Louvre pd Pascals	LOUVRE FACE VELOCITY		AIR FLOW RATE		Coefficient C_e
	m/s		Test m^3/s	Theoretical m^3/s	
17.4	1.23		1.261	5.488	0.230
32.9	1.71		1.753	7.547	0.232
48.5	2.10		2.153	9.163	0.235
65.5	2.44		2.503	10.648	0.235
80.4	2.70		2.774	11.797	0.235
95.8	2.96		3.045	12.878	0.236
112.9	3.22		3.306	13.980	0.236
129.2	3.44		3.538	14.955	0.237
				mean C_e	0.235
				Class	3



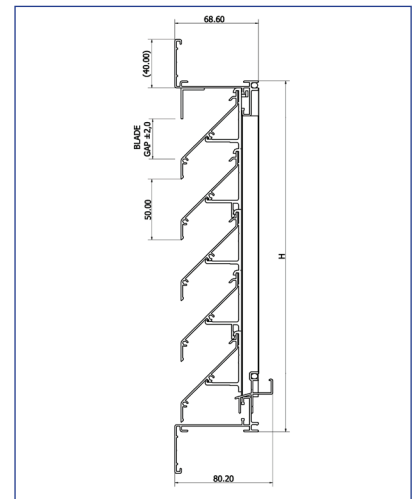
AVS50

Product Variants

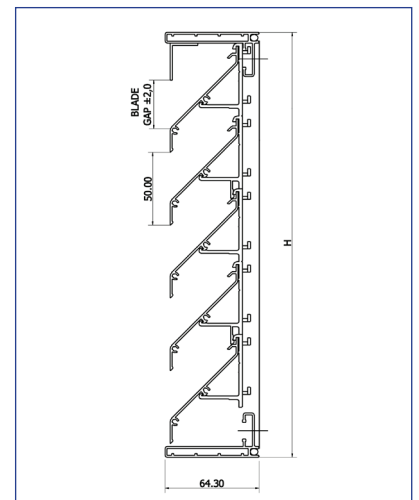
AVS50 GL



AVS50 FL



AVS50 BF



Tel: 01903 733 063 • Fax: 01903 680 022 • Out of Office: 07739 309 902

www.advancedventilationsystems.co.uk • info@advancedventilationsystems.co.uk

Advanced Ventilation Systems Ltd, Unit T2, Rudford Industrial Estate, Ford Road, Nr Arundel, West Sussex, BN18 0BD